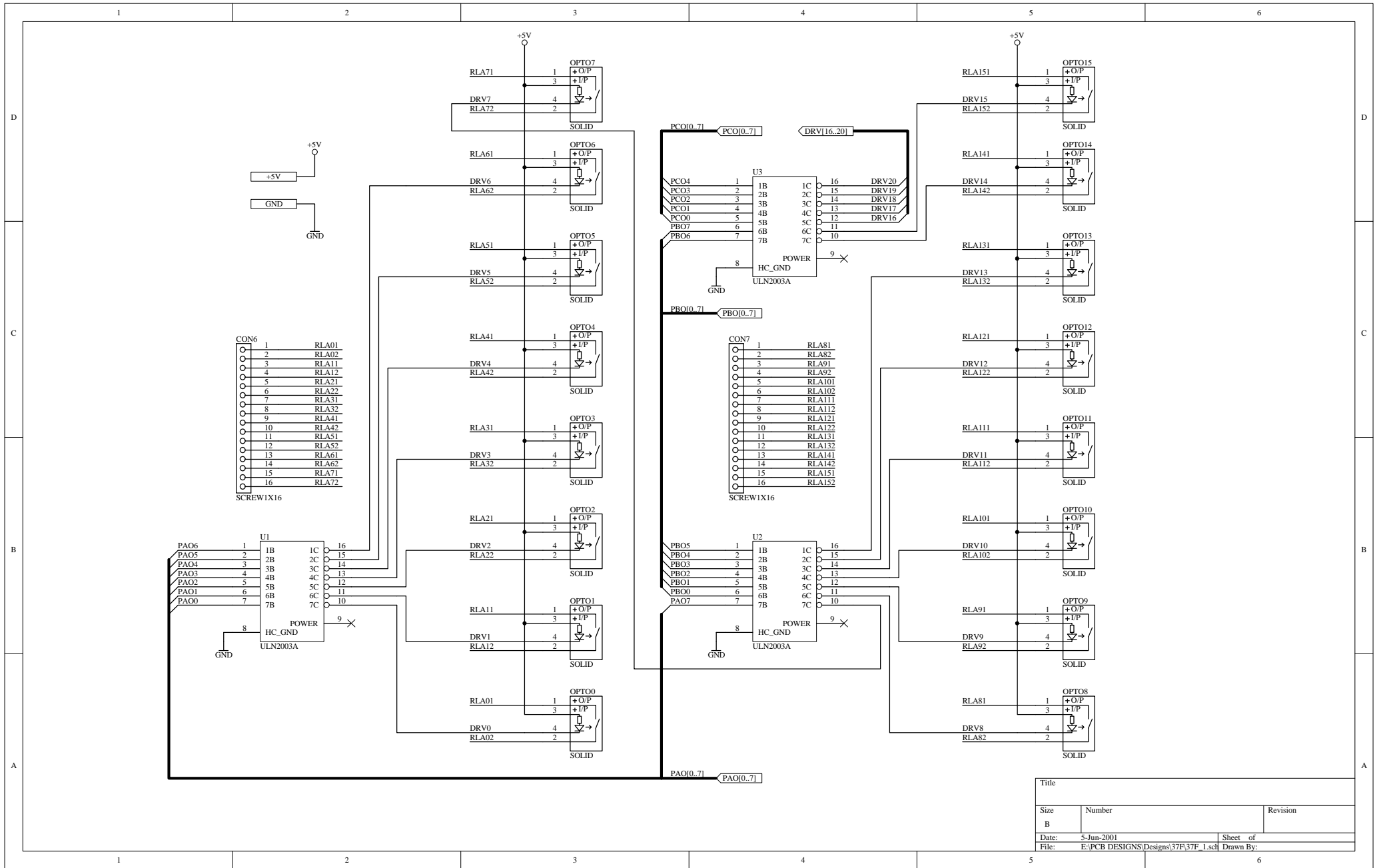
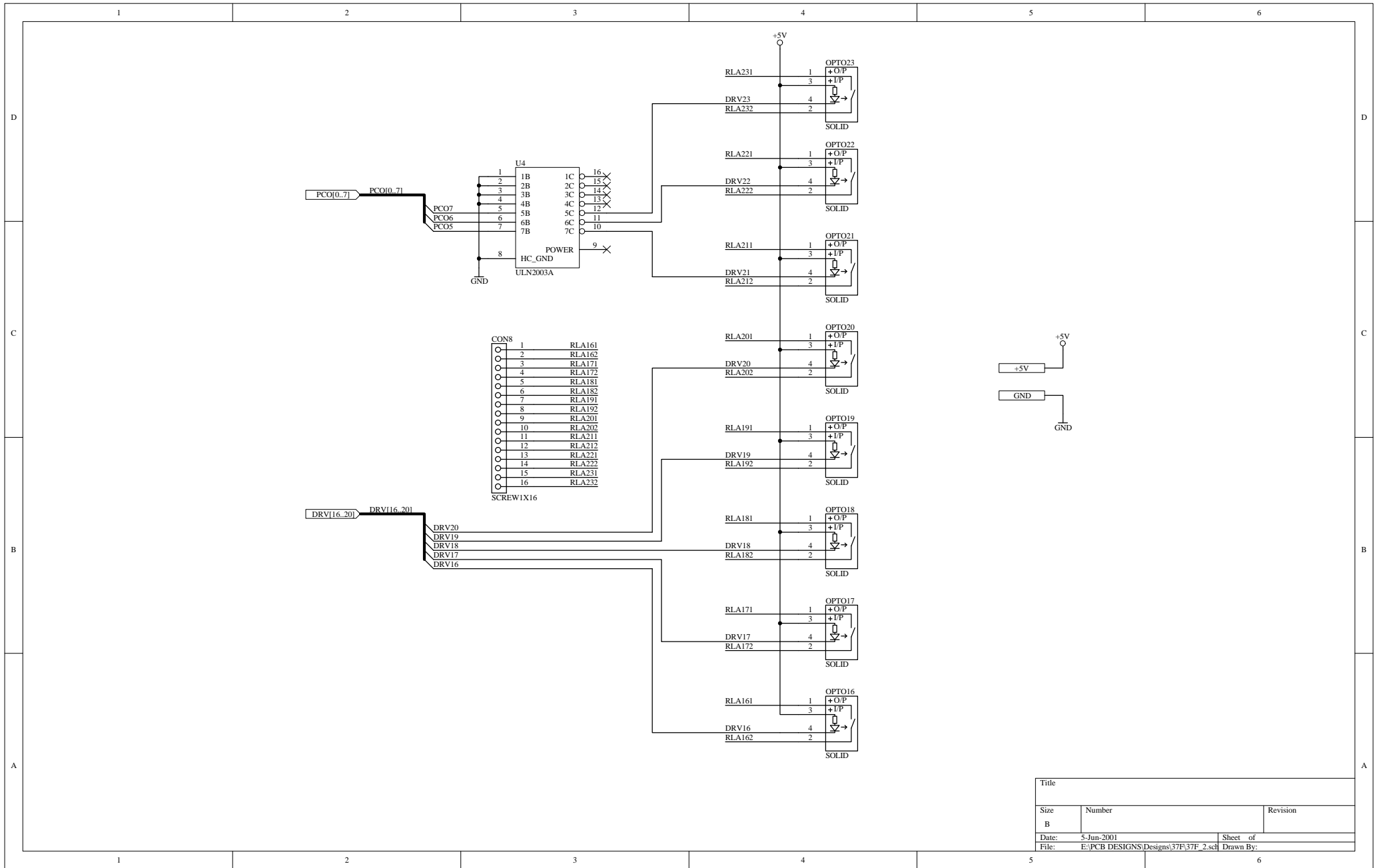


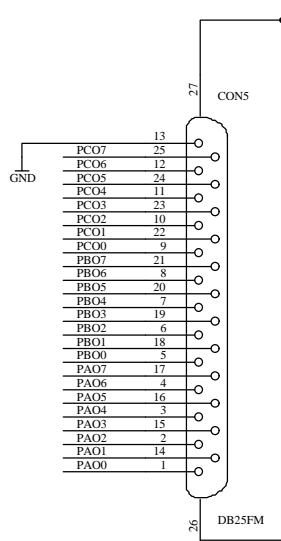
Title		
Size B	Number	Revision
Date:	5-Jun-2001	Sheet of
File:	E:\PCB DESIGNS\Designs\37F\37F.pri	Drawn By:



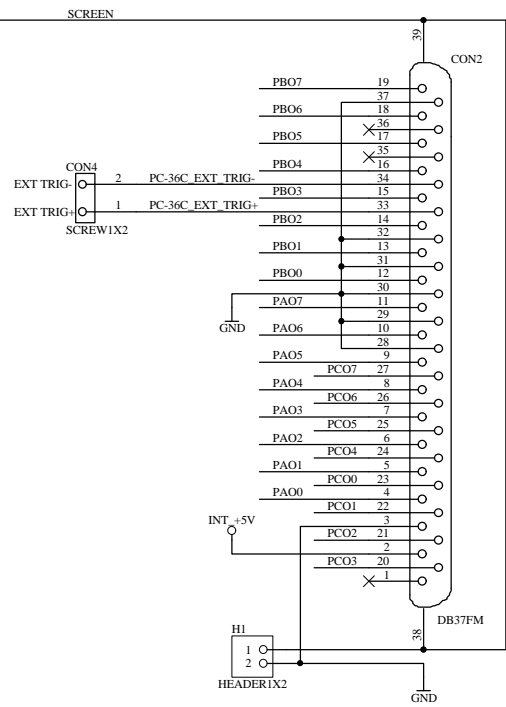
Title		
Size	Number	Revision
B		
Date:	5-Jun-2001	Sheet of
File:	E:\PCB DESIGNS\Designs\37F\37F_1.sch	Drawn By:



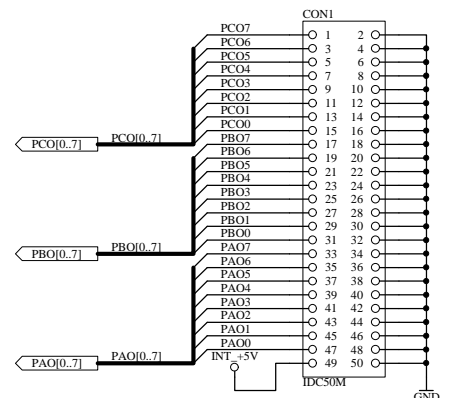
Title		
Size	Number	Revision
B		
Date:	5-Jun-2001	Sheet of
File:	E:\PCB DESIGNS\Designs\37F\37F_2.sch	Drawn By:



PC-30XX / PC-30F/G

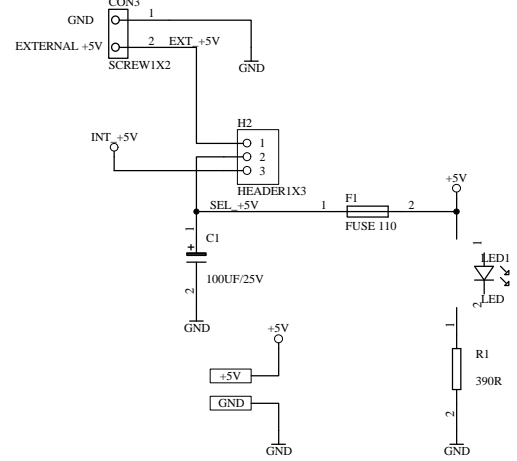


PC-36A/36B/36C/PCI-36C



PC-192/192A

EXTERNAL SUPPLY CONNECTOR



Title		
Size	Number	Revision
B		
Date:	5-Jun-2001	Sheet of
File:	E:\PCB DESIGNS\Designs\37F\37F_3.SCH Drawn By:	