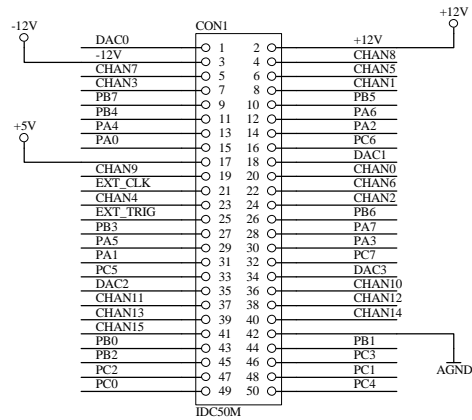
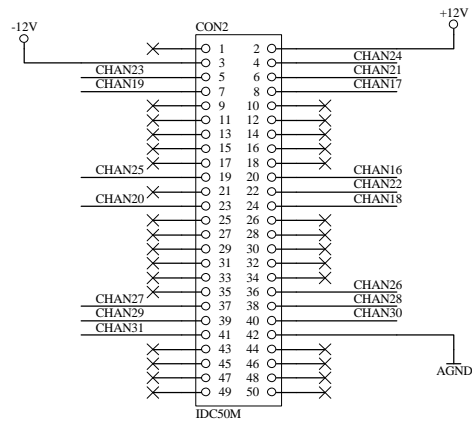


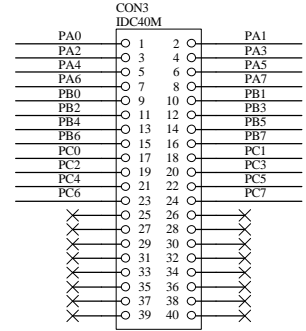
**PRIMARY - PC30U**  
(50WAY RIBBON CABLE OR HEADER)



**SECONDARY - PC30U**  
(50WAY RIBBON CABLE)

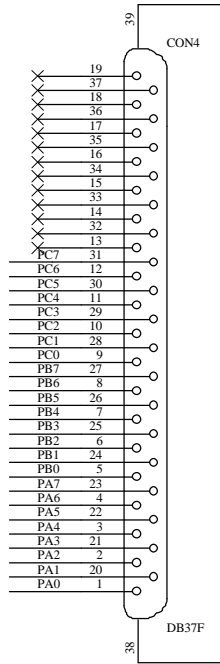
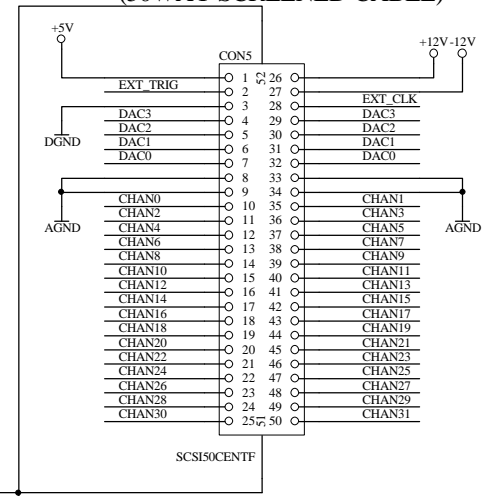


**PCI-30F/G DIGITAL I/O**  
(40WAY RIBBON CABLE)

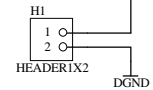


**PCI-30F/G to PC-30U Adapter**

**PCI-30F/G ANALOG I/O**  
(50WAY SCREENED CABLE)



**PCI-30F/G DIGITAL I/O**  
(37WAY SCREENED CABLE)



Title		
Size	Number	Revision
B		
Date:	16-Aug-2002	Sheet of
File:	G:\PCB DESIGNS\PCI-30MIA.sch	Drawn By: