

# PC-52A2 20 CHANNEL MULTI-I/O CONNECTOR MODULE

## Features

16 Analog Input & 4 Analog Output Channels, (Connected to the host DAQ PC Card's AIO).

Digital control by External Clock and External Trigger of A/D Converter.

+/-12VDC available (presence indicated by LED's)

For use ONLY with PC-30Dx & PC-30F/G Cards, using "Y" -Cable-2.

High quality screw terminals for easy field wiring.

There are four 3.2mm diameter holes for mounting or a DIN-RAIL Mounting Base may be fitted (recommended for quick hassle free installations).

## Analog Input / Output Multi-I/O Connector Description

8 Analog Input Connectors:2

For use with: ADPT-20 & PC-52-8

Access via: Analog I/P's CH(0-7) & CH(8-15) IDC-20M Connectors

4 Analog Input Connectors: 4

For use with: ADPT-910 & PC-52-4

Access via: Analog I/P's CH(0-3); CH(4-7); CH(8-11) & CH(12-15) IDC-10M Connectors

4 Analog Output Connectors: 1

For use with: ADPT-910 & PC-52-4

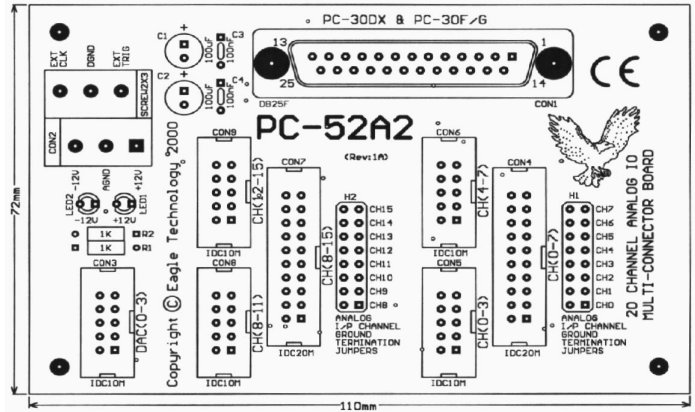
Access via: Analog O/P's DAC(0-3) IDC-10M Connector

8 Analog I/P Channel Ground Termination jumpers:2

For all UNUSED I/P channels

Access via: Header H1 & H2

## PC-52A2



## Temperature Ranges

Operating Temperature: 0° to 60°C

Storage Temperature: -20° to 80°C

## Physical Dimensions

72.0mm (width) X 110.0mm (length) X 19.0mm (height without DIN-RAIL Mounting Base fitted)

77.0mm (width) X 112.5mm (length) X 40.0mm (height with DIN-RAIL Mounting Base fitted)