

PC-52-4 4 CHANNEL ANALOG 5B I/O MODULE CARRIER

Features

4 Analog Input / Output Channels, (Connected to the host DAQ PC Card's AIO).

5B Socket Pin assignment compatible with Analog 5B I/O Signal Conditioning Modules from: DATAFORTH; ACROMAG; ANALOG DEVICES; QUATECH; BURR-BROWN; BMC (Multifunction); etc.

An additional pin O EXC has been introduced, which is for suitable ungrounded shielding (* this is BMC specific and not used by other suppliers!)

Cold Junction Compensation (CJC) and Current Shunt modules can be fitted when necessary, and have plug-in sockets provided

Analog Ground (AGND) / Power Common (PCOM) jumper Link for when O/P ground is not connected to the PSU

External +5VDC Power Supply required (presence indicated by LED and very fast acting fuse protected)

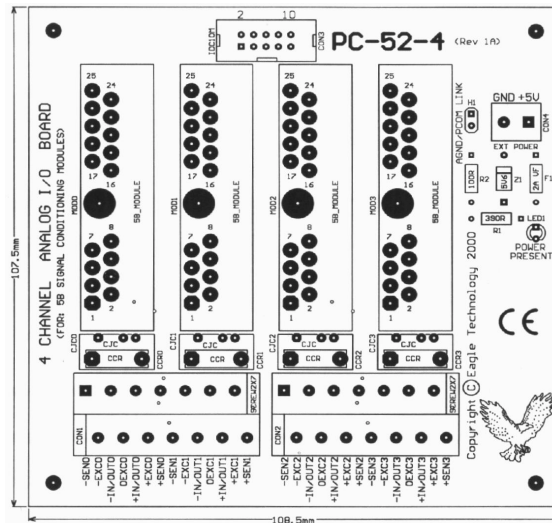
For use with PC-52A1; PC-52A2; PC-52A3 or PC-52A4 Analog Multi-I/O Connector Module, using IDC-10M-Cable.

4 (Short Circuit) 5B Module Bridges are included (free of charge)

High quality screw terminals for easy field wiring.

There are four 3.2mm diameter holes for mounting or a DIN-RAIL Mounting Base may be fitted (recommended for quick hassle free installations).

PC-52-4



Analog Input / Output Multi-I/O Connector Description

Analog Input/Output 5B Module Socket: 4

For use with: Analog 5B I/O Modules (see: Eagle Data Acquisition Catalogue on pg's29&30 for details)

Access via: Analog 5B I/O Module plug-in socket MOD0, MOD1, MOD2, & MOD3

Cold Junction Compensation (CJC) Module Socket: 4

For use with: Dataforth SCMXCJC or Analog Devices AC1361 Cold Junction Compensation Module

(see: Eagle Data Acquisition Catalogue on pg29 for details)

Access via: plug-in socket CJC0, CJC1, CJC2 & CJC3

Current Conversion Resistor (CCR) Module Socket: 4

For use with: Dataforth SCMXR1 Current Conversion Resistor Module (see: Eagle Data Acquisition Catalogue on pg29 for details)

Access via: plug-in socket CCR0, CCR1, CCR2 & CCR3

External +5V DC Power Supply

1A (max) per installed module is required with very good line (+/-0.05%) & load (+/-0.15%) regulation with maximum output ripple of 2mV rms and OVP nominal 6.2V (see: Eagle Data Acquisition Catalogue on pg29 for details)

Temperature Ranges

Operating Temperature: 0° to 60°C

Storage Temperature: -20° to 80°C

Physical Dimensions

107.5mm (width) X 108.5mm (length) X 67.0mm (height without DIN-RAIL Mounting Base fitted)

111.5mm (width) X 110.0mm (length) X 84.0mm (height with DIN-RAIL Mounting Base fitted)