

# PC-43A2 24 CHANNEL MULTI-I/O CONNECTOR MODULE

## Features

16 Digital Input / Output as well as three 8 Digital Input / Output Channels (Connected to the host DAQ PC Card's PIO).

For use with PC-192/A (IDC-50M); PC-36A/B/C & PCI-36C (DB-37F) using 1:1 cables, as well as other DAQ PC-Cards (DB-25F) using a custom made cable.

"DB-37F & DB-25F Connector's Cable Screen / DGND" linking jumper.

Internal / External (+5V) power input is jumper selectable (300mA resettable fuse for PSU protection).

External Trigger Connector for PC-36C & PCI-36C DAQ PC Cards

High quality screw terminals for easy field wiring.

There are four 3.2mm diameter holes for mounting or a DIN-RAIL Mounting Base may be fitted (recommended for quick hassle free installations).

## Digital Input / Output Multi-I/O Connector Description

16 Digital Input / Output Connectors: 1

PIO Ports utilised: A & B

For use with: ADPT-20; PC-37E; PC-38C; PC-38E;

PC-38W; PC-43 & PC-51-16

Access via: PORT-A (0-7) + PORT-B (0-7) IDC-20M Connector

8 Digital Input / Output Connectors: 3

PIO Ports utilised: A & B & C

For use with: ADPT-910; PC-37D; PC-38G; PC-38H;

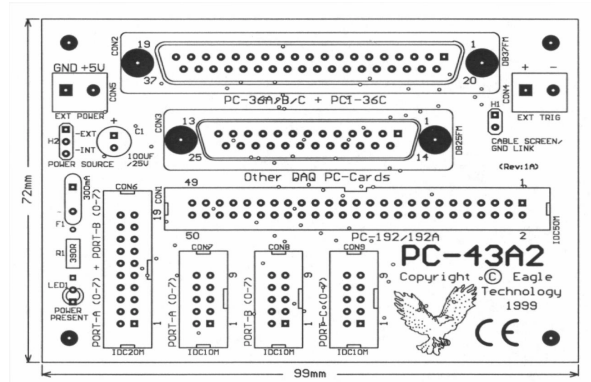
PC-38V; PC-43E & PC-51-8

Access via: PORT-A (0-7) IDC-10M Connector

Access via: PORT-B (0-7) IDC-10M Connector

Access via: PORT-C (0-7) IDC-10M Connector

## PC-43A2



## Temperature Ranges

Operating Temperature: 0° to 60°C

Storage Temperature: -20° to 80°C

## Physical Dimensions

72.0mm (width) X 99.0mm (length) X 19.0mm (height without DIN-RAIL Mounting Base fitted)

77.0mm (width) X 101.5mm (length) X 40.0mm (height with DIN-RAIL Mounting Base fitted)