

PC-43A1 32 CHANNEL MULTI-I/O CONNECTOR MODULE

Features

- 16 Digital Input & 16 Digital Output Channels, as well as two 8 Digital Input & two 8 Digital Output Channels (Connected to the host DAQ PC Card's DIO).
- For use with PCI-62C/63C/73C (IDC-40M) & PCI-62C/63C/73C (DB-37F) using 1:1 cables.
- "DB-37F Connector Cable Screen / DGND" linking jumper.
- Internal / External (+5V) power input is jumper selectable (300mA resettable fuse for PSU protection).
- High quality screw terminals for easy field wiring.
- There are four 3.2mm diameter holes for mounting or a DIN-RAIL Mounting Base may be fitted (recommended for quick hassle free installations).

Digital Input / Output Multi-I/O Connector Description

16 Digital Input Connectors: 1

For use with: ADPT-20; PC-43B & PC-51-16

Access via: DIG I/P'S (0-15) IDC-20M Connector

16 Digital output Connectors: 1

For use with: ADPT-20; PC-37E; PC-38C; PC-38E;

PC-38W & PC-51-16

Access via: DIG I/P'S (0-7) & DIG I/P's (8-15) IDC-10M Connector

8 Digital Input Connectors: 2

For use with: ADPT-910; PC-43E & PC-51-8

Access via: DIG I/P'S (0-7) & DIG I/P'S (8-15) IDC-20M Connectors

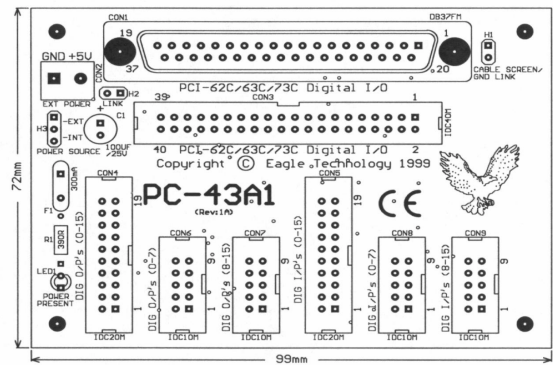
8 Digital Output Connectors: 2

For use with: ADPT-910; PC-37D; PC-38G;

PC-38H; PC-38V & PC-51-8

Access via: DIG O/P'S (0-7) & DIG O/P'S (8-15) IDC-20M Connectors

PC-43A1



Temperature Ranges

Operating Temperature: 0° to 60°C

Storage Temperature: -20° to 80°C

Physical Dimensions

72.0mm (width) X 99.0mm (length) X 19.0mm (height without DIN-RAIL Mounting Base fitted)

77.0mm (width) X 101.5mm (length) X 40.0mm (height with DIN-RAIL Mounting Base fitted)