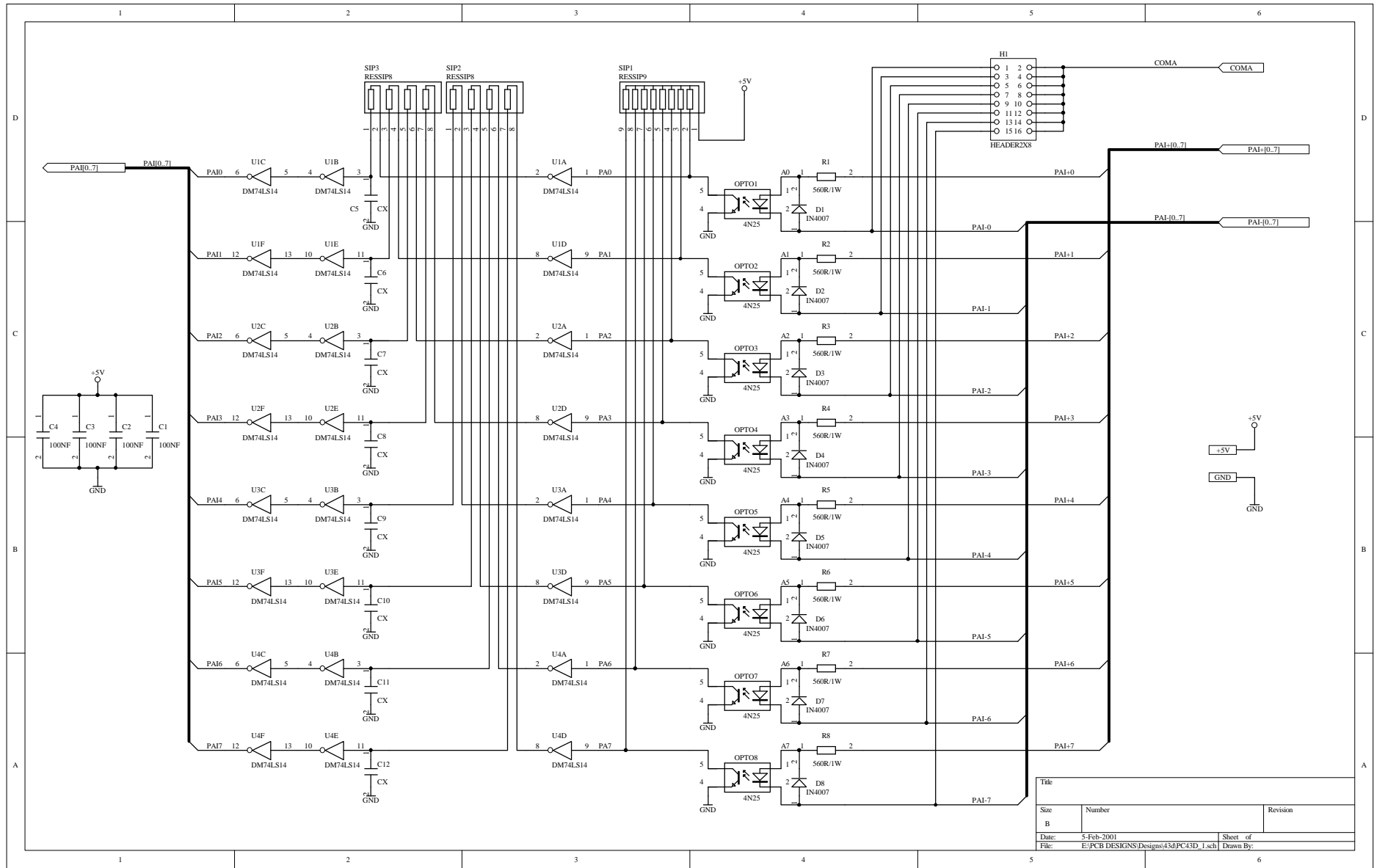
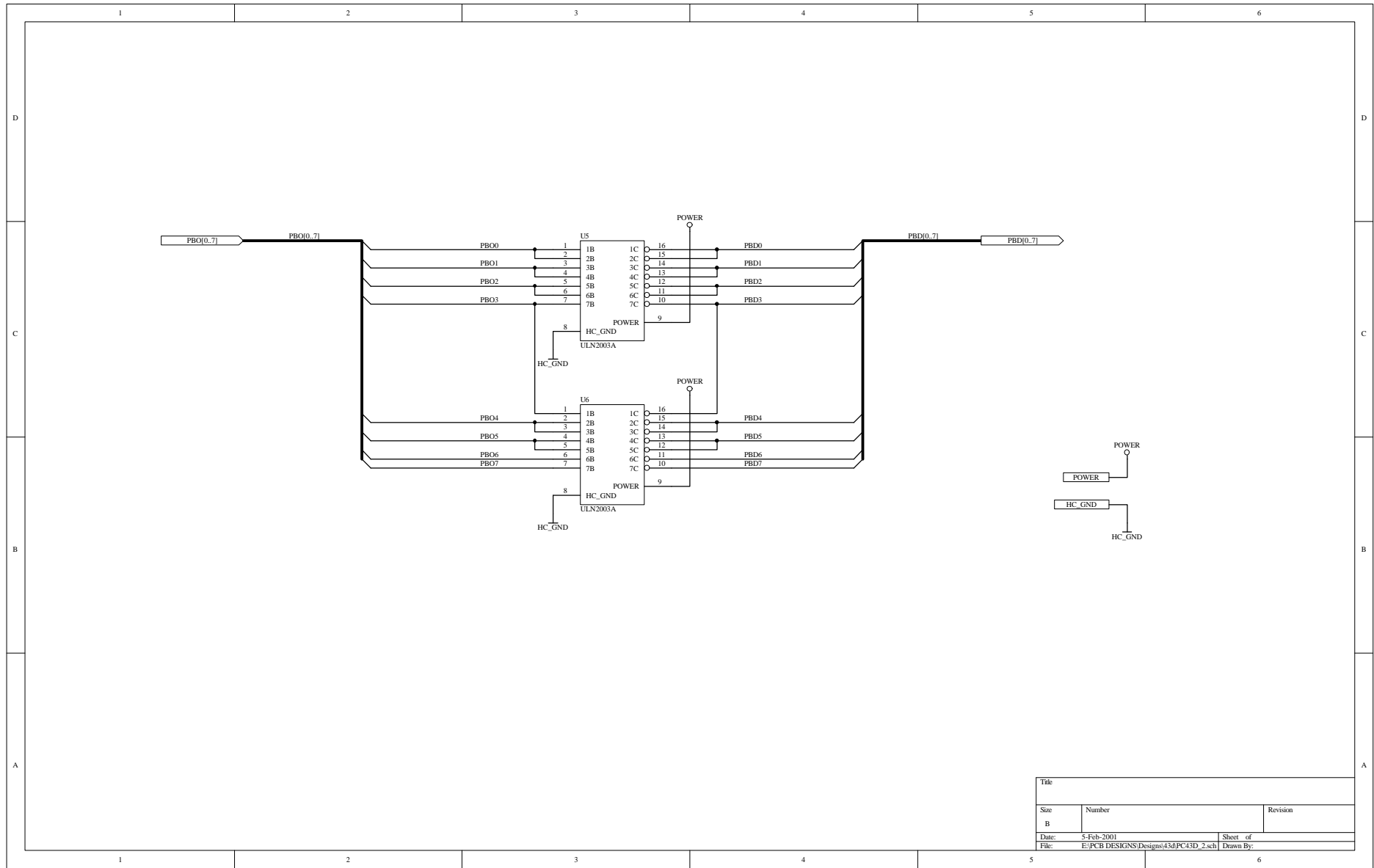


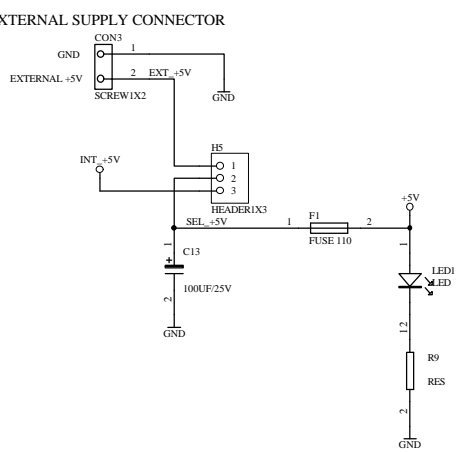
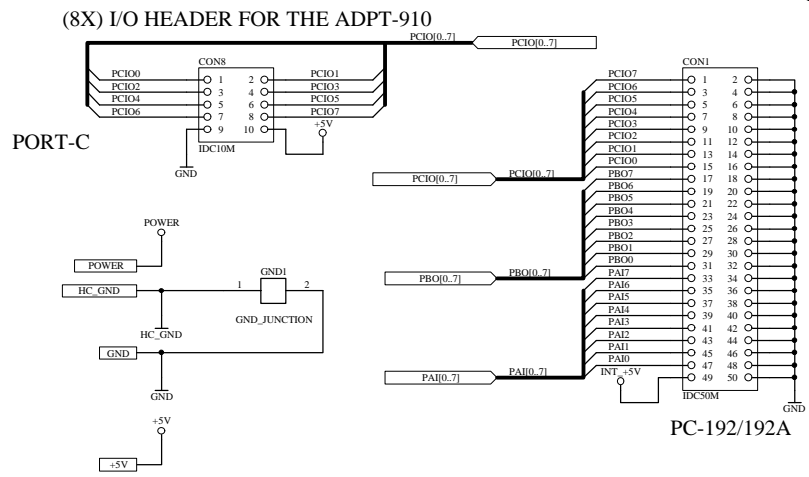
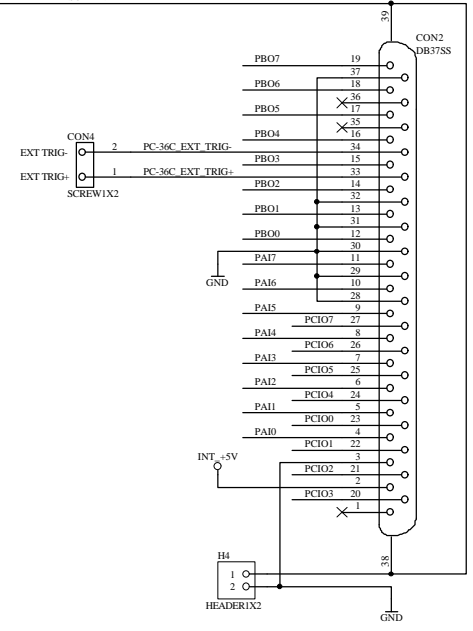
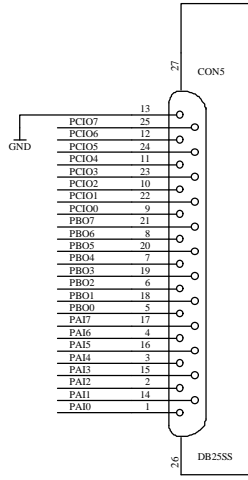
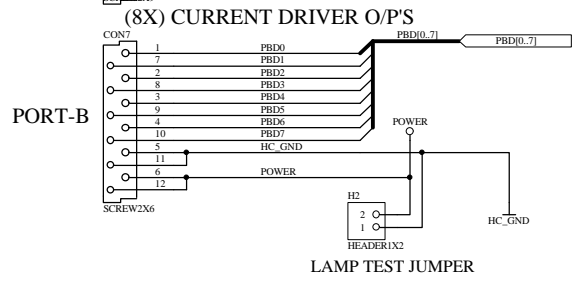
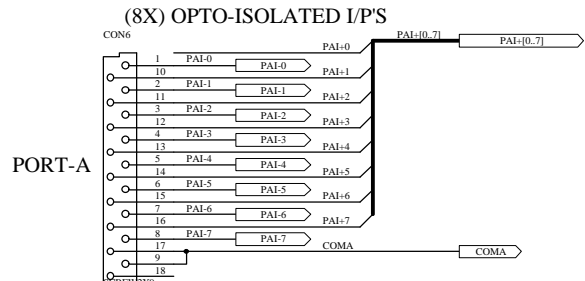
Title		
Size	Number	Revision
B		
Date:	3-Feb-2001	Sheet of
File:	E:\PCB DESIGN\GNS\Designs\43M\PC43D.ppt	Drawn By:



Title		
Size	Number	Revision
B		
Date:	5-Feb-2001	Sheet of
File:	E:\PCB DESIGNS\Designs\43MPC43D_1.sch	Drawn By:



Title		
Size	Number	Revision
B		
Date:	5-Feb-2001	Sheet of
File:	E:\PCB DESIGN\GNS\Designs\43MPC43D_2.sch	Drawn By:



Title		
Size	Number	Revision
Date: 5-Feb-2001		
File: E:\PCB DESIGNS\Designs\434\PC43D_3.sch		
Sheet of		Drawn By: