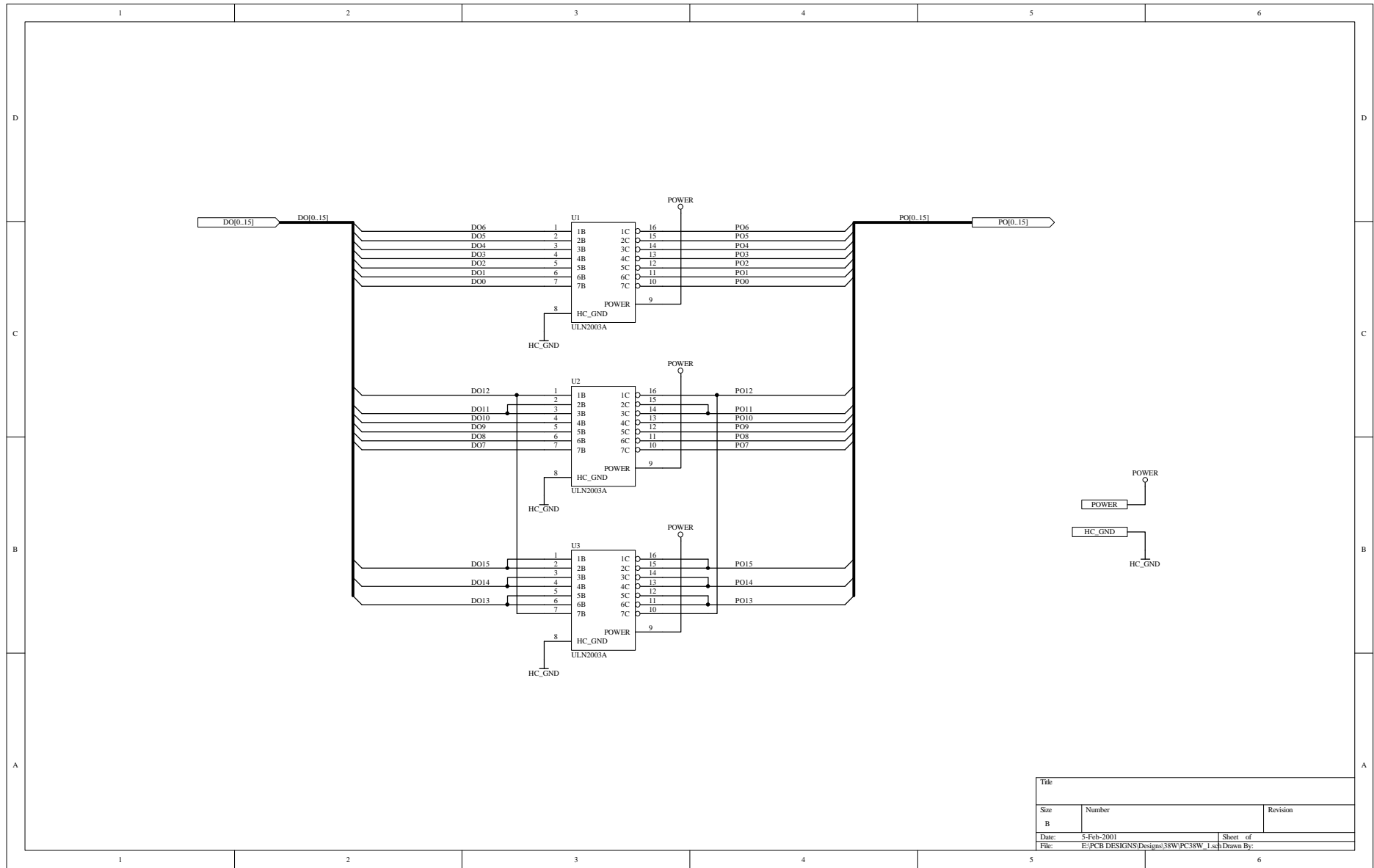
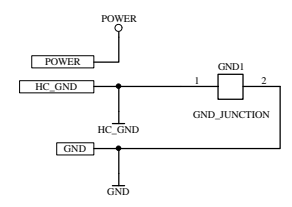
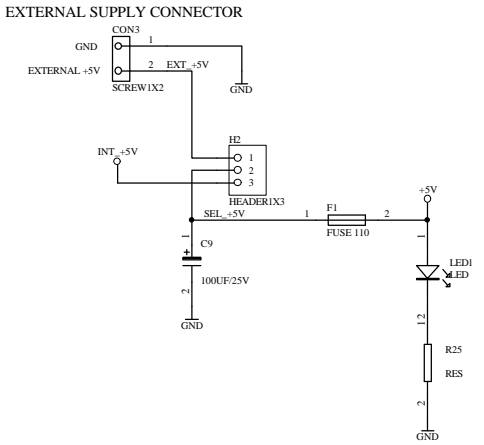
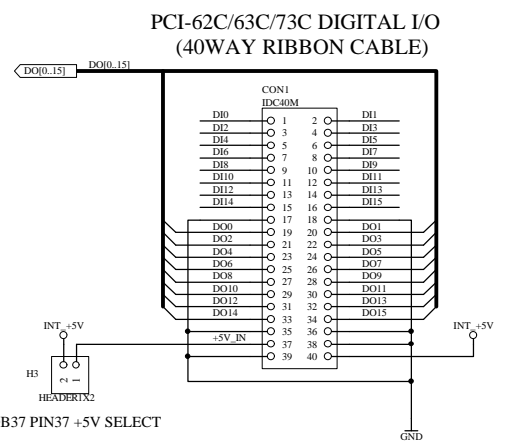
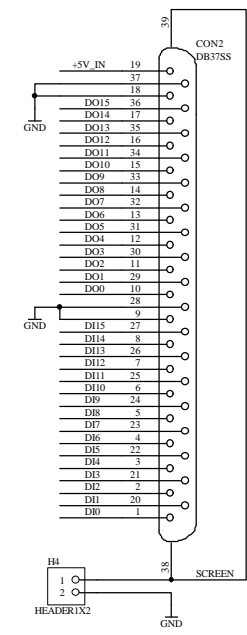
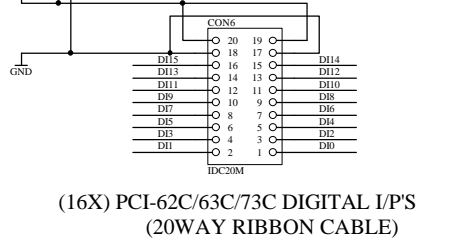
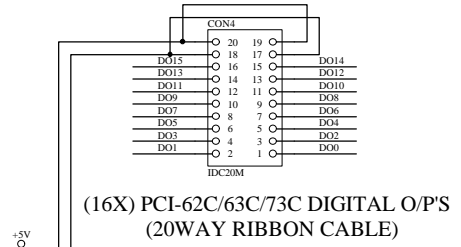
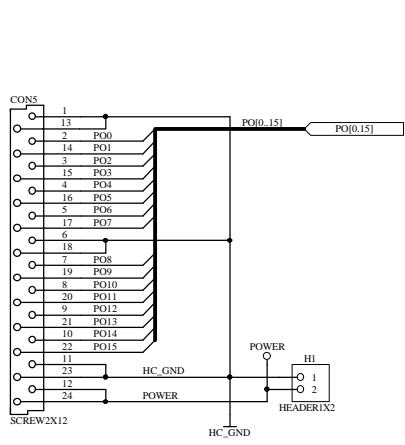


Title:		
Size	Number	Revision
B		
Date:	5-Feb-2001	Sheet of
File:	E:\PCB DESIGN\GNS\Designs\38W\PC38W.pjt	Drawn By:



Title		
Size	Number	Revision
B		
Date:	5-Feb-2001	Sheet of
File:	E:\PCB DESIGN\GNS\Design\38W\PC38W_1.sch Drawn By:	



Title		
Size	Number	Revision
B		
Date:	6-Feb-2001	Sheet of
File:	E:\PCB DESIGNS\Design\38W\PC38W_2.sch Drawn By:	